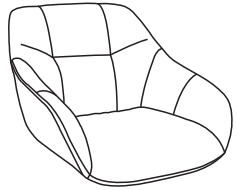


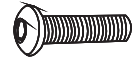
ASSEMBLY INSTRUCTION

9420

Ax1

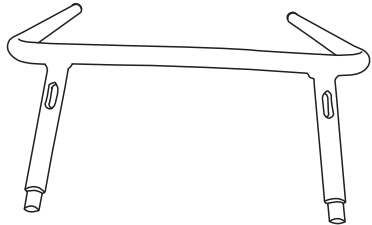


Fx2

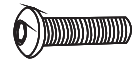


M6*25mm

Bx1

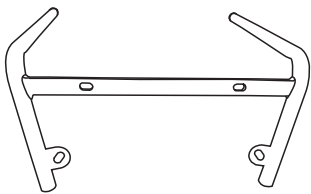


Gx2

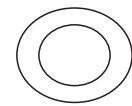


M6*16mm

Cx1



Hx2



8*20*1.5mm

Dx2

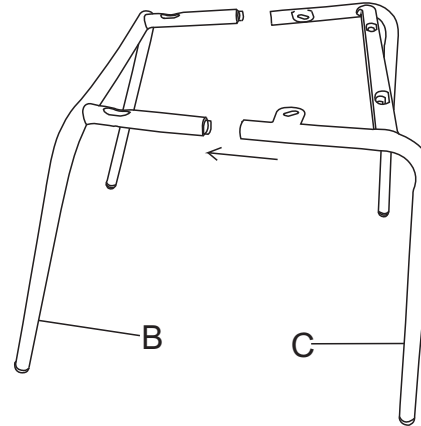


M6*35mm

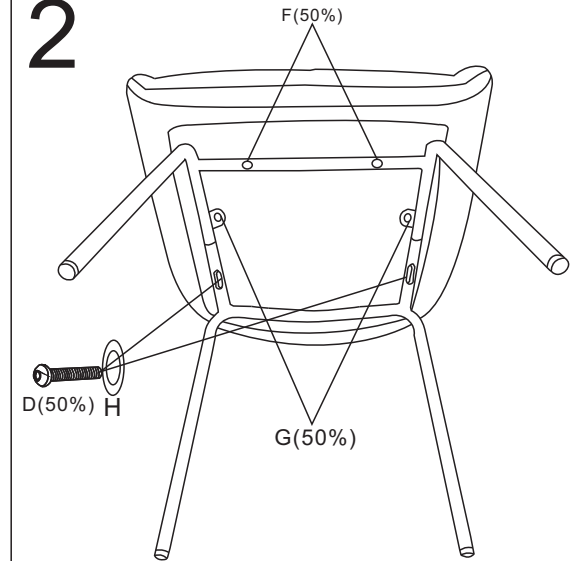
Ix1



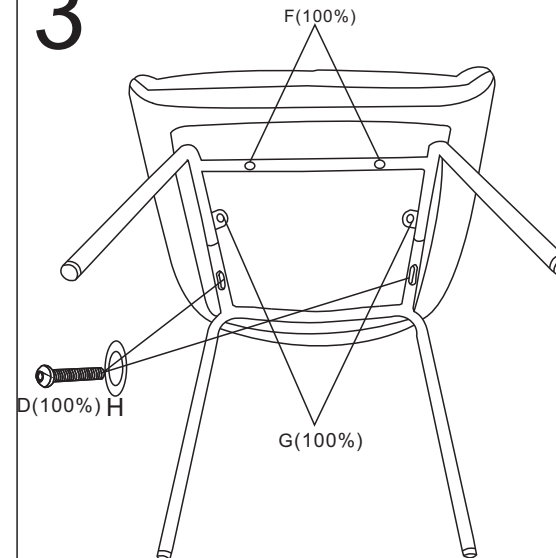
1



2



3



4

