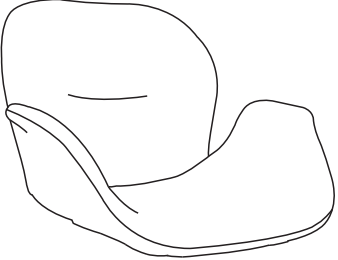



ASSEMBLY INSTRUCTION

9405

Ax1

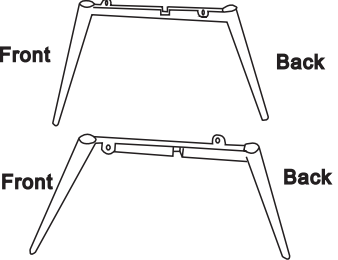


Dx4



M6x16mm


Bx1



Front Back


Front Back

Ex4




M6x45mm

Cx1

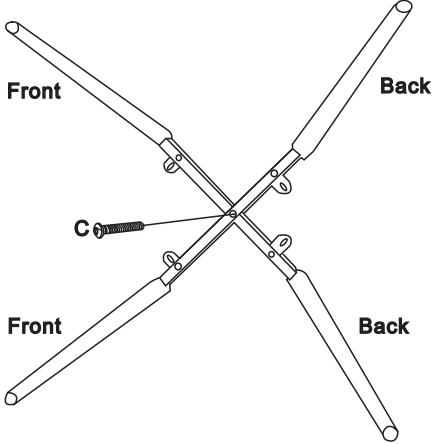


M6x30mm

Fx1



1

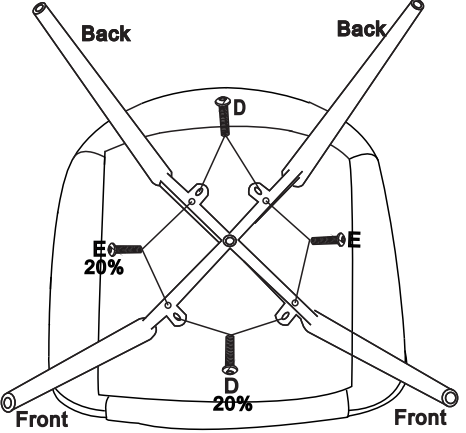


Front Back

Front Back

C

2



Back Back

Front Front

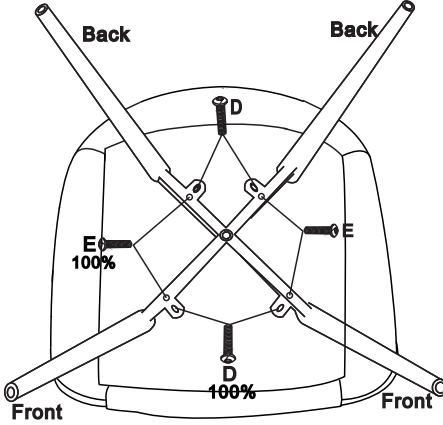
D

E 20%

E 20%

D 20%

3



Back Back

Front Front

D

E 100%

E 100%

D 100%

4

